



Active Pirani transmitter TPR 280, 80 °C, DN 16 ISO-KF

Flange size: DN 16 ISO-KF



Pfeiffer Vacuum · Headquarters/Germany

Tel. +49 (0) 6441 802-0 · Fax +49 (0) 6441 802-202 · info@pfeiffer-vacuum.de · www.pfeiffer-vacuum.net

Active Pirani transmitter TPR 280, 80 °C, DN 16 ISO-KF

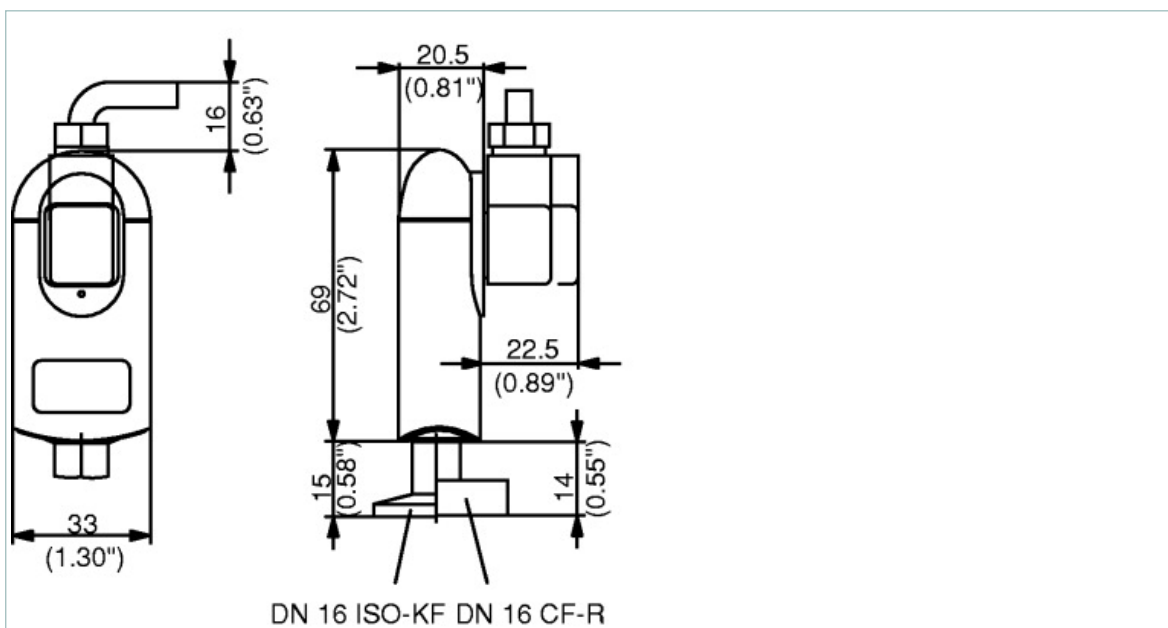
Active Pirani transmitter TPR 280

[Similar Image](#)



- ▶ Flange size: DN 16 ISO-KF
- ▶ Measurement range from $5 \cdot 10^{-4}$ to 1000 mbar
- ▶ Compact and rugged
- ▶ Fast, stable measurement
- ▶ For general vacuum applications
- ▶ Maximum pressure refers to inert gases

Dimensions



Active Pirani transmitter TPR 280, 80 °C, DN 16 ISO-KF

Technical Data	Active Pirani transmitter TPR 280, 80 °C, DN 16 ISO-KF
Accuracy: 10^{-3} - 10^2 mbar	± 15 %
Bakeout temperature	80 °C
Feature	Stainless steel, metal sealed
Feedthrough	Glass
Filament	Tungsten
Flange	Stainless steel
Flange (in)	DN 16 ISO-KF
Measurement range max.	1000 mbar
Measurement range min.	$5 \cdot 10^{-4}$ mbar
Output signal: Minimum load	10 k
Output signal: Pressure range	2.2-8.5 V
Output signal: Sensor error below	0.5 V
Pressure max.	10 bar
Repeatability: 10^{-3} - 10^2 mbar	± 2 %
Seal	Metal
Sensor cable length max.	200 m
Supply: Power consumption max.	1 W
Supply: Voltage	14-30 V DC
Temperature: Operating	5-60 °C
Temperature: Storage	-20 - +65 °C
Volume	1.5 cm ³
Weight	80 g

Order number	PTR26950
---------------------	-----------------

Accessories	Active Pirani transmitter TPR 280, 80 °C, DN 16 ISO-KF
Centering ring, with poral filter, FPM/stainless steel, DN 16 ISO-KF	PF117216-T
Fine filter for TPR 265/280, pore size 0.0004 mm, DN 16 ISO-KF	PT120132-T
Mating connector	B4707283MA
Sensor cable, 3 m	PT448250-T